



FEM Innovation Center

CENTRUM
INNOWACJI
AKADEMICKIEJ



Purpose of the initiative:

- protection of intellectual property developed by the FEM community,
- development of good practices in proceedings for a utility model and patent in management and quality sciences,
- activation of the innovative potential of FEM students,
- ensuring the traceability of impacts in the socio-economic area.



Why? From the rules of writing thesis

The thesis should include a description of the potential for implementation / commercialization of the proposed solutions and the level of innovation of the developed concepts against the background of technology / practice of enterprises.

The novelty of solutions concerns

materials	most often substances or mixtures
devices	e.g. tools, machines and systems
ways	description of activities, operations, processes, their sequence and conditions in which they take place, used raw materials, tools, devices, etc., e.g. method of producing a medicine
uses	new applications of already known products, e.g. a chemical compound used as an insecticide, turned out to have therapeutic properties.



Commercialization Potential - Checklist

1. Technical / procedural solution
2. The necessity of usability
3. Clear and transparent presentation of usability enabling the implementation of the submitted idea
4. Unique shape or structure of the object
5. Unique connection of functional parts with a permanent form ...



Lack of commercialization potential

1. inventions the use of which could be contradictory with "public order" or morals,
2. discoveries, scientific theories, mathematical methods, artistic creations, methods of conducting mental activities, information presentations, computer software and others.
3. new methods of treatment,
4. new varieties of plants and animals,



Proposed structure of the chapter

Description of the innovation and commercialization potential of the proposed solutions – subchapters:

1. Description of the state of the art revealing the need and the lack of a solution like ours
2. Description of the idea - invention / pattern revealing its essence,
3. Significance (znamienność)
4. Abbreviation of the description
5. Drawings, sketches, visualizations etc.



X.1. Description of the state of the art revealing the need and lack of a solution like ours

Requirement

1. Checking the state of the art - e.g. from the UPRP databases - <https://ewyszukikuje.pue.uprp.gov.pl/>
2. Searching for alternatives and their criticism

The screenshot displays the official website of the Polish Patent Office (URZĄD PATENTOWY RZECZYPOSPOLITEJ POLSKIEJ). The page is titled "WYSZUKIWARKA PROSTA" (Simple Search). On the left, there is a sidebar with "WYSZUKIWARKA" and "HISTORIA (0)". The main content area shows search criteria under "Kryteria wyszukiwania". A dropdown menu for "Rodzaje PWP" (Types of PWP) is expanded, showing several checked options: "Znaki Towarowe", "Wynalazki", "Patenty Europejskie", "Dodatkowe Prawa Ochronne", "Wzory Użytkowe", and "Wzory Przemysłowe". To the right, there is a search input field with the placeholder "Wpisz frazę - min. 3 znaki" and a "Uwzględnij" button. Below the search field, there is a section for "WYSZUKIWARKA ZAAWANSOWANA" (Advanced Search) with a list of search types and collections.



X.1. Description of the state of the art revealing the need and lack of a solution like ours

other search engines

<https://worldwide.espacenet.com>

<https://www.wipo.int/patentscope/en/>

...

The screenshot shows the Espacenet Patent search interface. At the top, there are logos for the European Patent Office in German, English, and French. The main header includes the Espacenet logo and 'Patent search'. Navigation links for 'Deutsch', 'English', 'Français', 'Contact', and 'Change country' are present. Below the header, there are tabs for 'Search', 'Result list', 'My patents list (0)', 'Query history', 'Settings', and 'Help'. The 'Result list' tab is active, showing a search for 'Message system'. The results are sorted by date of upload in the database. The first result is '1. Message system' with the following details:

Inventor:	Applicant:	CPC:	IPC:	Publication info:	Priority date:
황규욱	주식회사 다원엠피		A61H15/00 A61H15/02 A61H19/00 (+7)	KR102314850 (B1) 2021-10-21	2021-07-05

On the left side of the interface, there are links for 'Smart search', 'Advanced search', and 'Classification search'. A 'Quick help' section contains several links for user assistance, such as 'Can I subscribe to an RSS feed of the result list?' and 'Why is the number of results sometimes only approximate?'. At the bottom of the results list, there are options to 'Select all (0/25)', 'Compact', 'Export (CSV | XLS)', 'Download covers', and 'Print'.



X.3. Disclaimer and significance

Art. 33 sec. 3. The patent claims referred to in Art. 31 sec. 1, subpara. 3, is fully supported by the description of the invention. They define the claimed invention and the technical contribution contained therein in a concise and unambiguous manner, by giving **technical features** relating to his **construction** or the composition of the product

relative to the manner in which the matter is technically influenced or the new use of a known product.

Art. 33 sec. 3¹. Each reservation should be clearly stated in one sentence or sentence equivalent.

Art. 33 sec. 4. In addition to the independent claim or the independent claim, which should portray all features of the proposed invention or a few inventions, recognized in accordance with Art. 34 in one entry, in the application may there are an appropriate number of dependent claims for the representation **variants of the invention** or **specifying features** listed in **independent reservation** or other **dependent caveat**.

Art. 33 sec. 4¹. The interrelation of the independent claim and the dependent claims should be clearly stated in the

source: Dr Paweł Koczorowski - Formulation of utility model protection claims versus patent claims for an invention

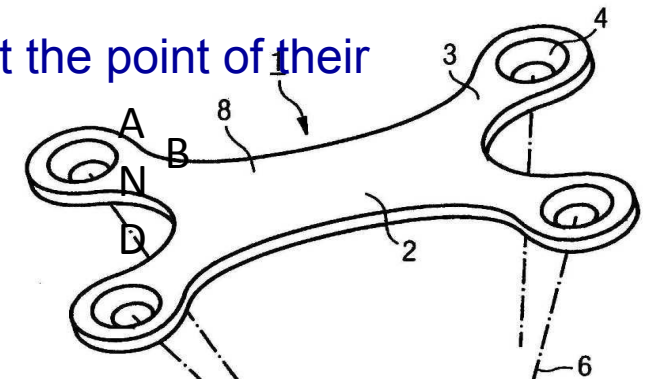
X.3. Disclaimer and significance

Team bone fusion plates consisting of tiles in the shape of the letter "X"

and at least two join screws the board is folded from the central part and from the arms protruding at its corners with through-holes at their ends, at least one of these through-holes is provided with a seat for a firm and angularly stable positioning of the joining bolt and, moreover, the plate is limited by the contact area

with a bone and an external surface in which the nests of the through holes are made to seat the screw heads in them, characterized in that the width B of the arms (3) of the plate (1) at the point of their connection with its central part (2) is smaller than the width A of each of these arms in the area of the through holes (4).

Does the letter X define the shape of the tile sufficiently? What are the shapes of the midsection and arms? The designation of the holes is not a pattern feature.

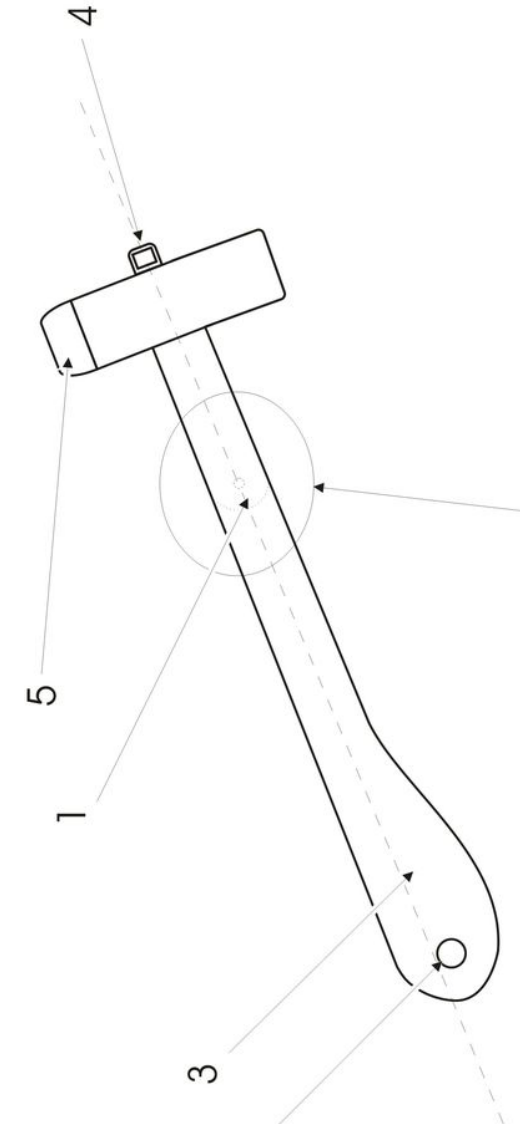


source: Dr Paweł Koczorowski - Formulation of utility model protection claims versus patent claims for an invention

X.3. Disclaimer and significance

The solution is characterized by the fact that the hammer is equipped with an articulated mechanism [1] dividing the hammer handle in a ratio of 3/1. The characteristic features of the solution are:

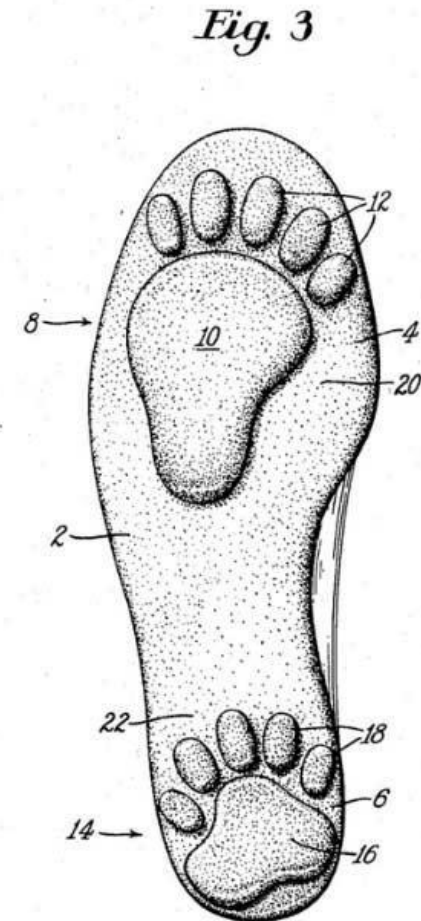
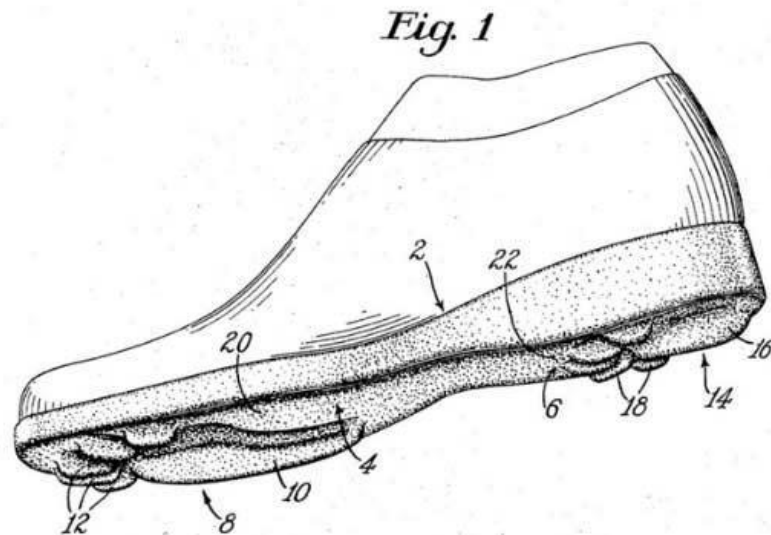
- a joint that allows the hammer's head to be bent at an angle of approx. 15^{about} in line with the hammer axis, on the plane of symmetry of the side section,
- hammer deflection approx. 15^{about} above and below the centerline of the hammer,
- a hole for vertical storage of the hammer [2],
- thickened the end part of the hammer handle allowing to increase the grip force and preventing the hammer from slipping out of the hand during operation [3],
- handle for vertical hammer storage [4],



Innovative?

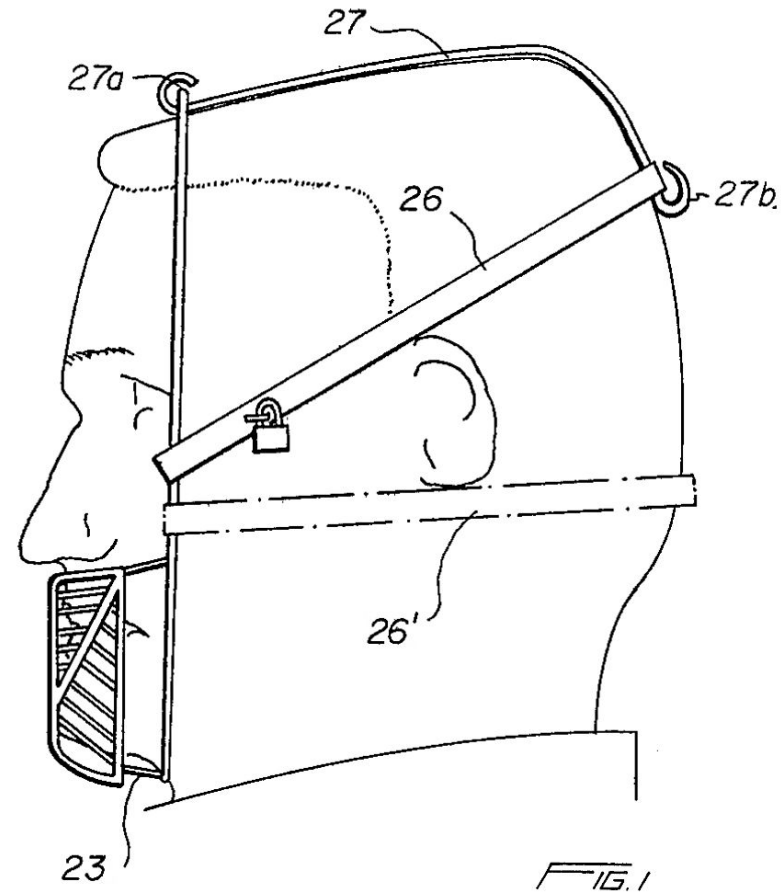
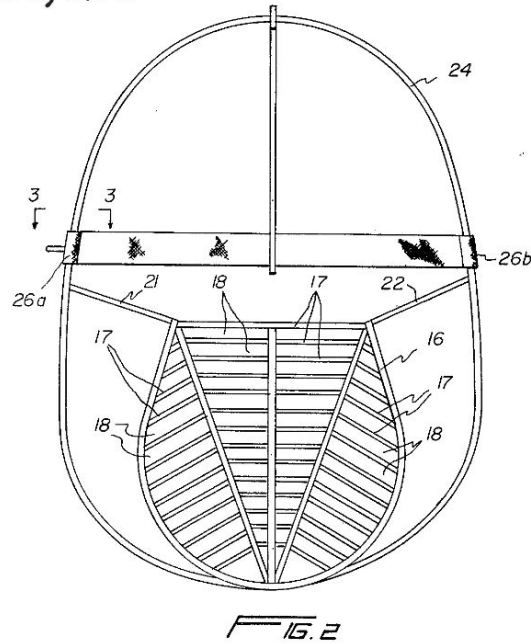
PHILIP E. MCMORROW ANIMAL TRACK FOOTWEAR SOLES

Patented September 24, 1968
No. 3,402,485



Innovative?

LUCY L. BARMBY
ANTI-EATING FACE MASK
Patented August 17, 1982
No. 4,344,424



Innovative?

BRENT L. FARLEY SLED PANTS

Patented November 12, 1996
No. 5,573,256

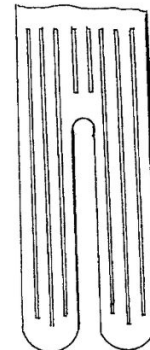
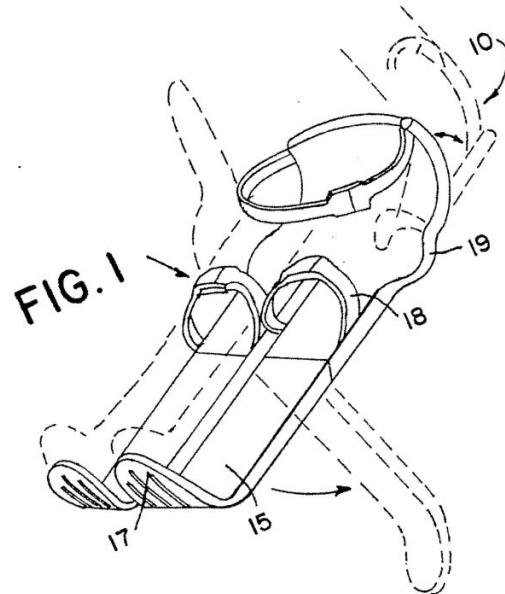


FIG. 5

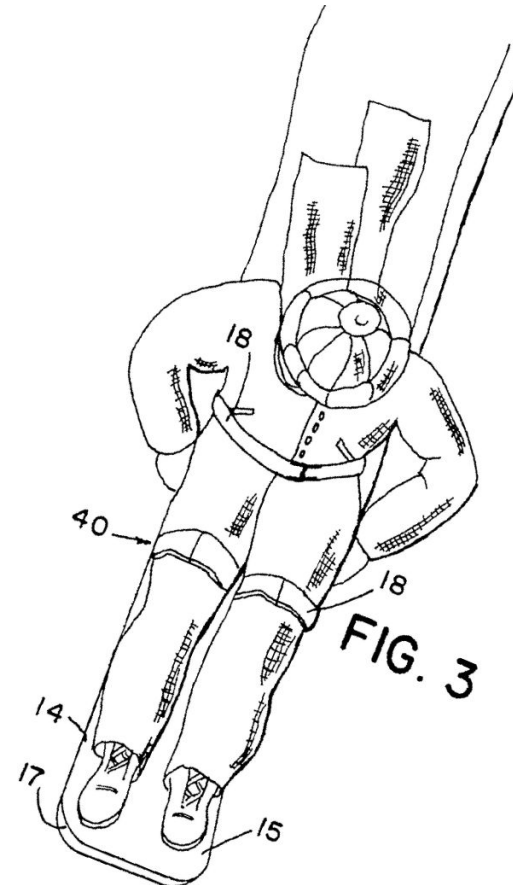


FIG. 3



Is our idea an invention already? (reminder)

Invention- a product or process that provides a new way of doing something, or a proposal for a new technical solution to a problem. An exclusive right, called a patent, is granted to an invention. **Patent** is granted when the invention has three characteristics:

- is new (its essence was not known before the filing date of this invention; it does not belong to the state of the art),
- has an inventive step (its essence cannot be obvious to people who know a given field of technology),
- it is useful (Suitable for practical manufacture and use on an industrial scale).



or maybe more a utility model ...

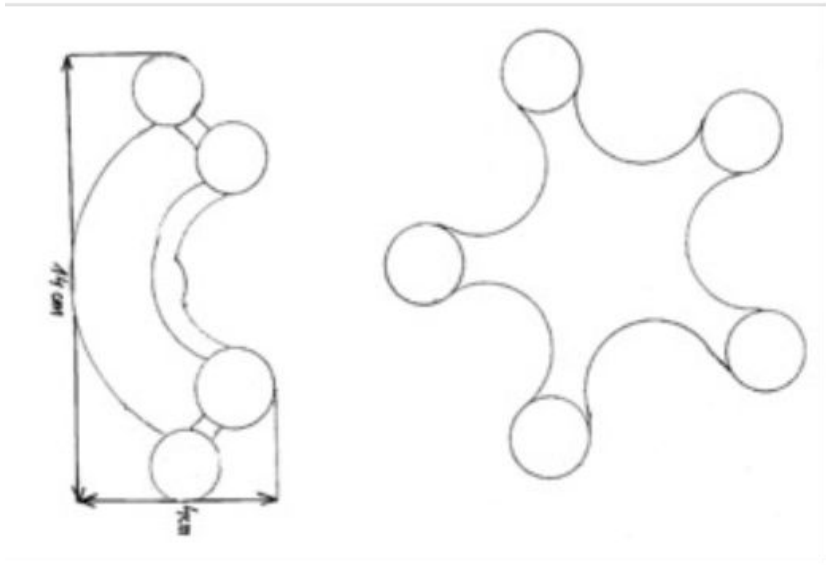
Art. 94.

1. A utility model is a solution:

- **new** and
- **useful**
- about **technical nature**
- about **shape, construction** or item listing
- about **permanent form**.

2. A utility model is considered to be a useful solution if it allows achieving a goal which is practical for the manufacture or use of the products.

Utility model and process time



The subject of the utility model is the self-massage device shown in the figure, in order to complete the necessary rehabilitation after difficult medical procedures and long stay in bed. The device consists of five legs that end with spheres.

2010-12-21
Data zgłoszenia

2012-07-02
Data publikacji BUP

2014-05-30
Data publikacji
WUP

2021-02-05

Utility model example

MENU



Wydział Inżynierii Zarządzania
Politechnika Białostocka

Szukaj informacji

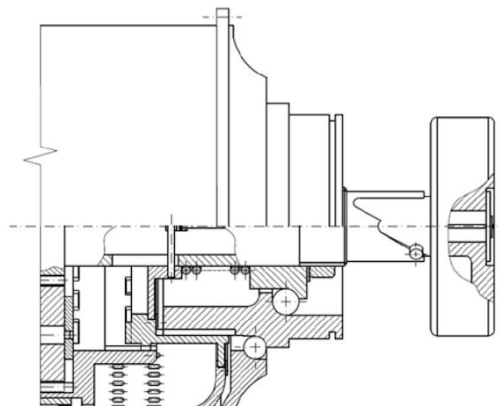


PL

🏠 / Aktualności / Przekładnia w kołach wózka dla osób niepełnosprawnych – wynalazek naszego dyplomanta i jego promotora

Przekładnia w kołach wózka dla osób niepełnosprawnych – wynalazek naszego dyplomanta i jego promotora

22-01-2019

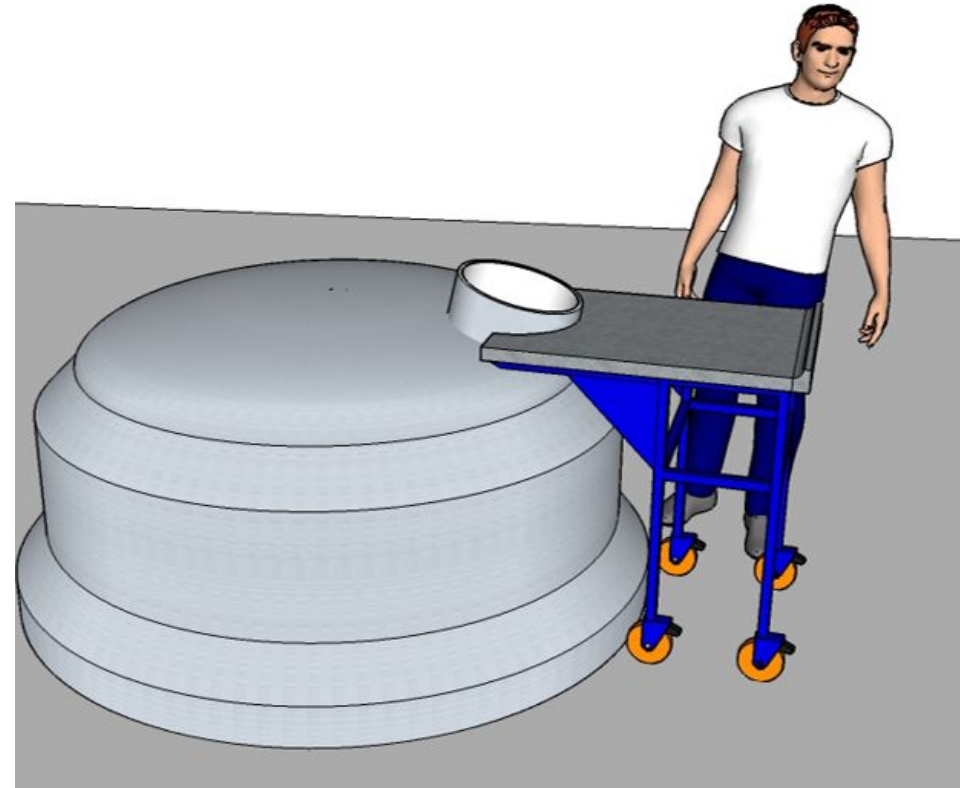


Nasza Uczelnia otrzymała właśnie prawa ochrony zarówno do wynalazku jak i wzoru użytkowego na przekładnię w kołach wózka inwalidzkiego wraz z system sterowania tą przekładnią. Wynalazek powstał podczas pisania pracy dyplomowej inżynierskiej Pana Tomasza Marciniaka na kierunku Zarządzanie i Inżynieria Produkcji pod opieką promotora dr hab. inż. Wiesława Urbana, prof. PB. Obaj Panowie są współautorami wynalazku i wzoru użytkowego.

Jest to bardzo praktyczne opracowanie, które może znacznie podnieść komfort jazdy na wózku osobom niepełnosprawnym. Wynalazek polega na zastosowaniu oryginalnego mechanizmu przełożenia napędu, podobnego do stosowanego w tzw. przekładniach planetarnych, w obu kołach wózka. Zainstalowane przełożenie sprawia, że osoba niepełnosprawna niewielkim wysiłkiem jest w



Utility model - examples





POLITECHNIKA POZNAŃSKA

Materiał na Seminarium dyplomowe I stopnia – CIA WIZ
dr hab. inż. Marcin Butlewski, prof. PP



**WYDZIAŁ
INŻYNIERII
ZARZĄDZANIA**

In case of any questions

dr hab. inż. Marcin Butlewski, prof. PP, Eur. ERG

Vice-Dean for International Cooperation and the Business Environment

Faculty of Engineering Management

+48 61 665 33 77

marcin.butlewski@put.poznan.pl